

Product leaflet

Product
Compressed
Air-fed Mask

Model No.
SR 200 Airline, PC visor
SR 200 Airline, glass visor

Ordering No.
H03-1012
H03-1212

Product Description

The Sundström SR 200 Airline is a breathing apparatus that is supplied with a continuous flow of air and is designed for connection to a compressed air supply. The unique feature of the SR 200 Airline is the scope it provides for filter back up. The breathing hose can be released from both the facepiece and the control valve. The equipment can then be used as a filtering device. The SR 200 Airline can be used as an alternative to filtering devices in all situations in which the latter are recommended. This applies especially if the user is doing hard or sustained work, and if the pollutants have poor warning properties or are particularly toxic. The SR 200 Airline is made of materials that are not liable to give rise to sparking when subjected to friction, which enables the device to be used in an explosive or fire-hazardous environment. Control valve, flow meter and warning whistle for temporary and continuous monitoring of the air flow are included.

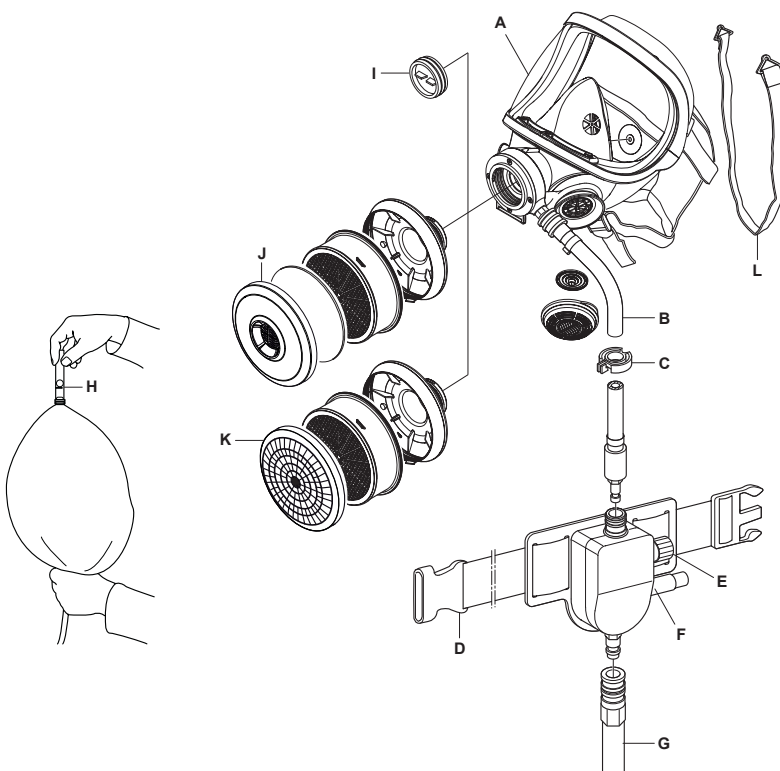
Technical specification

	SR 200 Airline	EN 14594:2005
Working pressure	5–7 bar	≤ 10 bar
Air flow rate	150–320 l/min	≥ 120–300 l/min
Storage temperature	-20 °C to +55 °C, < 90 % RH	-
Service temperature	-10 °C to +55 °C, < 90 % RH	-
Weight without control valve	≈ 750 g	-
Low flow warning level	< 150 l/min	≤ 150 l/min
Assigned Protection Factor ¹	100 (4A,4B)	-
Nominal Protection Factor ²	2000 (4A,4B)	-
Approvals	EN 14594:2005, 4A4B	-

1) Specified in BS 4275 and applies to all approved full-face masks with particulate filter P3, regardless of the test results.

2) According to EN 529:2005.

- A. Full-face mask
- B. Breathing hose with check valve
- C. Retaining clip
- D. Belt
- E. Control valve
- F. Warning whistle
- G. Compressed air hose
- H. Flow meter
- I. Sealing plug
- J. Filter
- K. Filter with sealing cover



Head Office
Tel: +46 10 484 87 00

Visiting address:
Stockholmsvägen 33
SE-181 33 Lidingö

Factory
Tel: +46 10 484 87 00

Visiting address:
Västergatan 4
SE-341 50 Lagan

Sundström
www.srsafety.com