

Product leaflet

Product Combined filter ABEK1-Hg-P3 R	Model No. SR 299-2	Ordering No. H02-6512
---	------------------------------	---------------------------------

Product Description

The SR 299-2 is a combined filter consisting of a Class 1 gas filter and Class 3 particle filter. The filter is designed for use in Sundström full face masks and half masks. The filter is of type ABEK1-Hg-P3 R and provides protection against the following types of gases, vapours and particles:

Type A protects against organic gases and vapours, such as solvents, with boiling points > +65 °C.

Type B protects against inorganic gases and vapours, such as chlorine, hydrogen sulphide and hydrogen cyanide.

Type E protects against acidic gases and vapours, such as sulphur dioxide and hydrogen fluoride.

Type K protects against ammonia and certain amines, such as ethylene diamine.

Type Hg protects against mercury vapour. **Warning.** Maximum use time 50 hours.

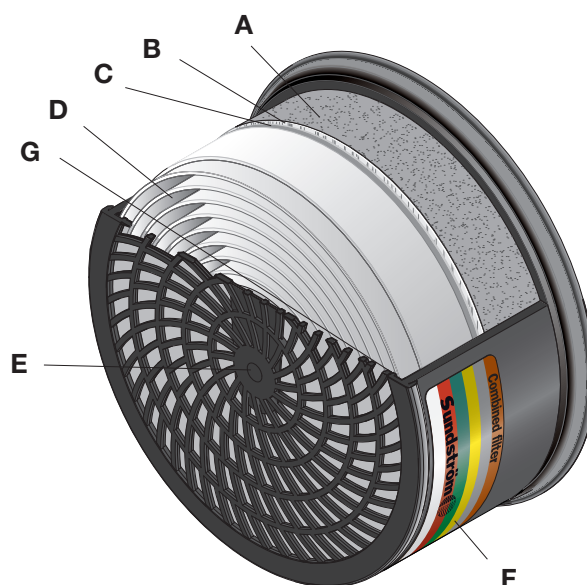
Type P3 R* protects against all types of particulate pollutants, e.g. dust, mist and smoke.

*R (Re-useable): The filter is intended to be used for more than a single shift.

Technical specification

	SR 299-2	EN 14387:2004 + A1:2008
Pressure drop at 30 l/min	≈ 150 Pa	< 220 Pa
Diameter/height	106/53 mm	-
Weight	≈ 200 g	< 300 g
Service temperature	-10 – +55 °C, < 90 % RH	
Storage temperature	-20 – +40 °C, < 90 % RH	
Filtration efficiency, Paraffin oil	> 99.993 %	≥ 99.95 %
Filtration efficiency, Sodium Chloride NaCl	> 99.993 %	≥ 99.95 %
Resistance time		
A1, Cyclohexane C ₆ H ₁₂ , 1,000 ppm	> 95 min	≥ 70 min
B1, Chlorine Cl ₂ , 1,000 ppm	> 120 min	≥ 20 min
B1, Hydrogen Sulphide H ₂ S, 1,000 ppm	> 120 min	≥ 40 min
B1, Hydrogen Cyanide HCN, 1,000 ppm	> 50 min	≥ 25 min
E1, Sulphur Dioxide SO ₂ , 1,000 ppm	> 45 min	≥ 20 min
K1, Ammonia NH ₃ , 1,000 ppm	> 105 min	≥ 50 min
Hg, Mercury Vapour Hg, 13 mg/m ³	> 200 hrs	≥ 100 hrs
Approval	EN 14387:2004 + A1:2008	

- A. Activated carbon
- B. Filter disc
- C. Intermediate disc
- D. Filter medium
- E. Filter case
- F. Marking label
- G. Hot-melt adhesive



Sundström Safety AB
Tel: +46 10 484 87 00
Västergatan 4
SE-341 50 Lagan

Sundström
www.srsafety.com